

Construction

The GEMÜ 1210 proximity sensor housing is made of stainless steel and has two mounting threads for proximity switches. The housing is fixed to the mounting kit by grub screws and sealed by O-rings.

Features

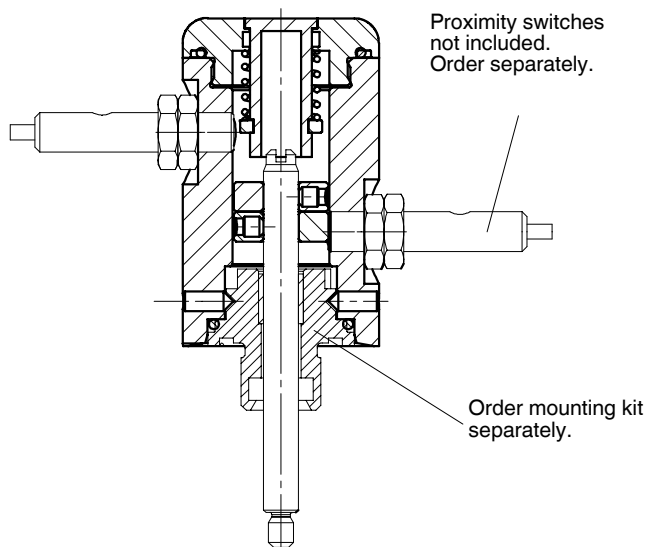
- For linear actuators upto 40 mm stroke
- Stainless steel housing
- Optical position indicator optional
- Available for M8x1 or M12x1 proximity switches
- Compact design

Advantages

- Damping surface of proximity switches protected against damage and cleaning agents

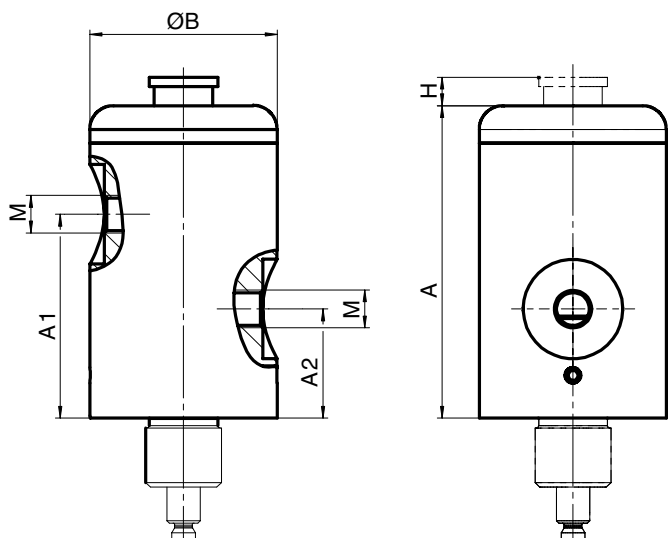


Sectional drawing



Technical data

Dimensions - GEMÜ 1210 [mm]



Stroke (Code)	A	A1	A2	ØB	H	M
06	57.5	39	23	29.5	-	M8x1
						M12x1
10	66.0	43	23	39.5	6	M8x1
						M12x1
20	78.0	55	23	39.5	6	M8x1
						M12x1
40	98	75	23	48	6	M8x1
						M12x1

Order data

Version	Code
	000

Stroke	Code
For upto 6 mm stroke	06
For upto 10 mm stroke	10
For upto 20 mm stroke	20
For upto 40 mm stroke	40

Optical indication	Code
With optical indication	Y
Without optical indication	N

Proximity switch size	Code
For M8 x 1 proximity switches	08
For M12 x 1 proximity switches	12

Order example	1210	000	Z	20	Y	08
Type	1210					
Version (code)		000				
Accessory (code)			Z			
Stroke (code)				20		
Optical indication (code)					Y	
Proximity switch size (code)						08

Note: Mounting kit 1210S01Z... depends on the valve type. Please order separately specifying valve type, DN, control function and actuator size. The stroke (code) of the mounting kit determines the stroke (code) of the proximity sensor housing.